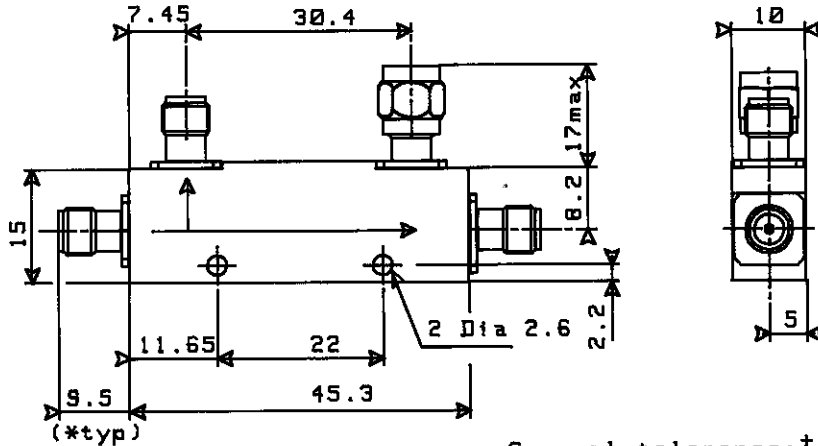




TITLE 10 dB 2 - 8 GHz DIRECTIONAL COUPLER

LTR. **C**

DRAWING:



3 SMA/f connectors

General tolerance: ± 0.5 mm

ELECTRICAL CHARACTERISTICS:

FREQUENCY RANGE	: 2 - 8 GHz
IMPEDANCE	: 50 Ohms
COUPLING (*)	: 10 dB \pm 1 dB
FREQUENCY SENSITIVITY	: ± 0.4 dB
DIRECTIVITY	: 20 dB mini
INSERTION LOSS	: 1 dB max.
V.S.W.R.	: 1.25 max.
AVERAGE POWER	: 50 W CW at 25°C
PEAK POWER	: 3 kW (1 μ S, 1%) at 25°C

MECHANICAL CHARACTERISTICS:

CONNECTORS	: SMA female per MIL C 39012
TERMINATION (on isolated port)	: 50 Ω 1 W
MAXIMUM WEIGHT	: 40 g

ENVIRONMENTAL CHARACTERISTICS:

OPERATING TEMPERATURE RANGE	: - 40°C + 100°C
STORAGE TEMPERATURE RANGE	: - 40°C + 100°C

(*) Frequency sensitivity is included in coupling.

Tentative data subject to change without notice.

PEN	QUALITY	MO App.				
	<i>Bathel</i>	B				
PAGE	DATE	NAME	LTR	REVISIONS	DATE	APP.
	1 1	16/01/90	K. LUCIEN			
					12/10/90	K.i
					06/07/90	K.i